

H MICRO SWITCH
 FREEPORT, ILLINOIS, U.S.A.
 A DIVISION OF HONEYWELL
 FED. MFG. CODE 91929

SWITCH - ENCLOSED

CATALOG LISTING
1LS19

CATALOG LISTING
1LS19
 PAGE 1 OF 1

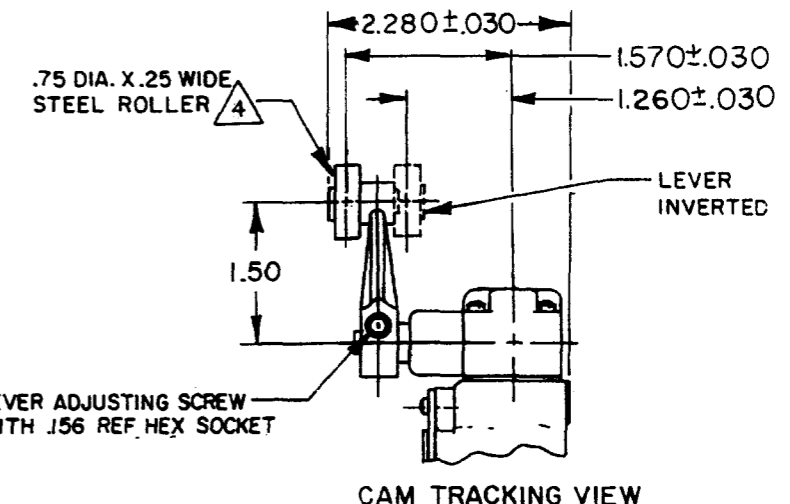
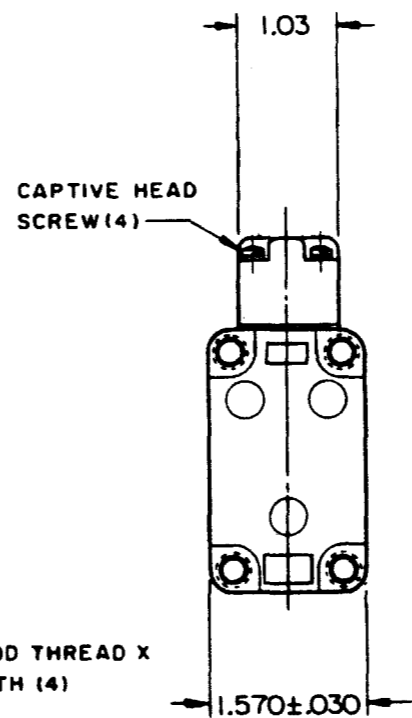
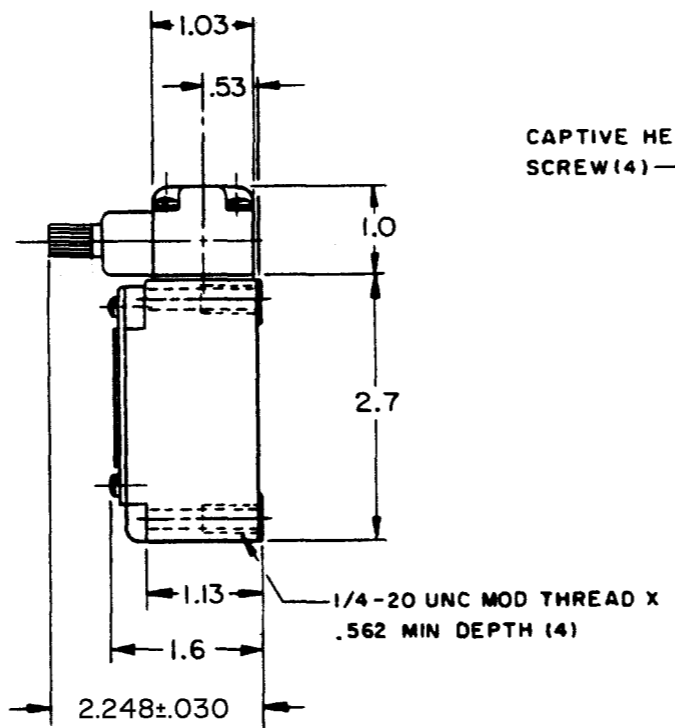
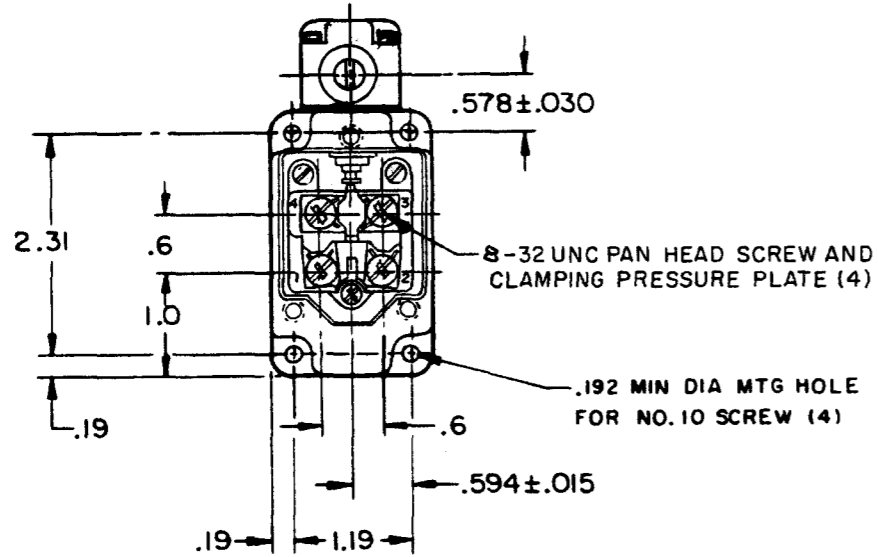
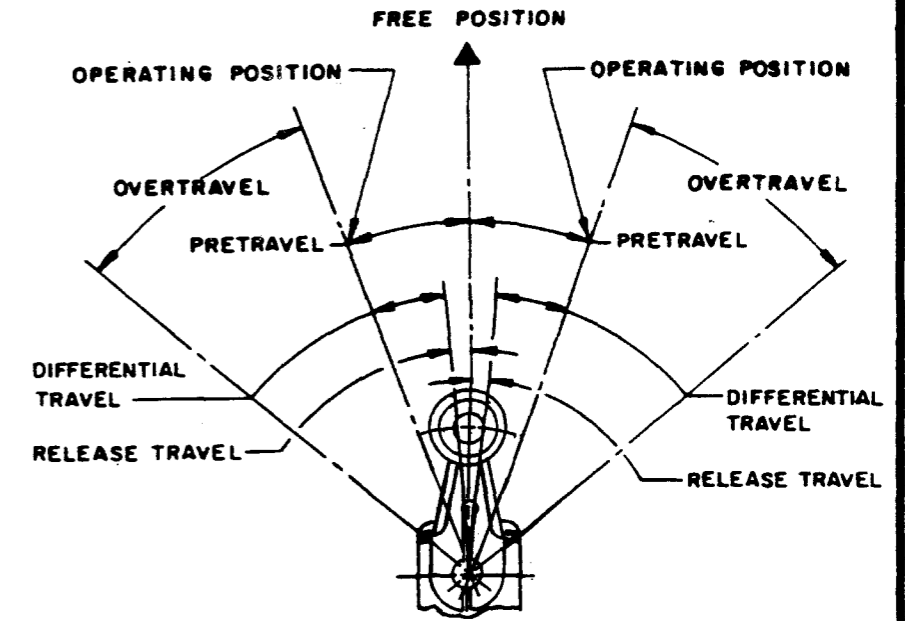
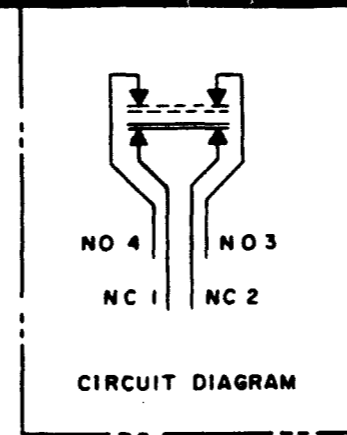
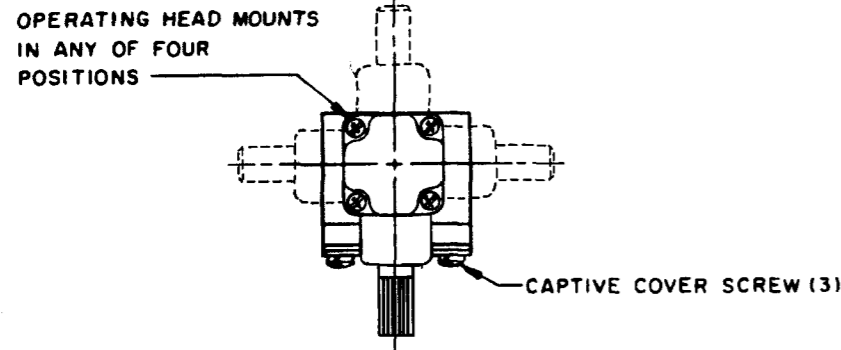
ISSUE
M
20

REVISIONS
 A CO-95463-B
 D.L.T.
 7 SEP 99
 B ECO-200178
 C.S.L.
 5 APR 00

CHECK
 20 MAR 04

CHECK
 20 MAR 04

FORMTEK
 FO-80378-003
 DRAWN
 O.M.W.
 18 FEB 64
 CHECK
 D.A.W.
 20 MAR 04



THIS DRAWING COVERS A PROPRIETARY ITEM AND IS THE PROPERTY OF MICRO SWITCH, A DIVISION OF MINNEAPOLIS-HONEYWELL REGULATOR CO. THIS DRAWING IS NOT TO BE COPIED OR USED WITHOUT THE APPROVAL OF MICRO SWITCH.

CHARACTERISTICS	ELECTRICAL DATA	SCALE 1/2 TO 1
OPERATING TORQUE-----4.5 IN-LB MAX	CONTACT ARRANGEMENT (SEE CIRCUIT DIAGRAM)	DO NOT SCALE PRINT
FULL OVERTRAVEL TORQUE -- 6 IN-LB MAX	10A - 120, 240 OR 480 VAC 1/4 HP - 120 VAC; 1/2 HP - 240 VAC PILOT DUTY: 600 VAC MAX	UNLESS OTHERWISE NOTED
RELEASE TORQUE----- .75 IN-LB MIN		DIMENSIONS ARE IN INCHES
PRETRAVEL-----5° MAX	TOLERANCES ARE:	ONE PLACE (.0) ±.030
OVERTRAVEL-----30° MIN		TWO PLACE (.00) ±.015
RELEASE TRAVEL-----0°30' MIN		THREE PLACE (.000) ±.008
SWITCH-BASIC REPLACEMENT-----2MN8		ANGLES ±
		WEIGHT

- NOTES
- 1-SWITCH IS ASSEMBLED FOR ACTUATION IN BOTH DIRECTIONS BUT MAY BE ADJUSTED TO ACTUATE IN EITHER THE CLOCKWISE DIRECTION ONLY OR THE COUNTERCLOCKWISE DIRECTION ONLY
 - 2-TO CONVERT SWITCH FOR ACTUATION IN EITHER THE CLOCKWISE OR COUNTERCLOCKWISE DIRECTION ONLY, REMOVE ACTUATOR HEAD AND ROTATE THE NOTCHED PLUNGER 90° TO THE RIGHT FOR CLOCKWISE ACTUATION OR 90° TO THE LEFT FOR COUNTERCLOCKWISE ACTUATION
 - 3 SEAL TO BE FURNISHED BY USER
 - 4 ROLLER LEVER MAY BE LOCKED IN ANY POSITION THRU 360°
 - 5- LEVER FURNISHED UNASSEMBLED IN UNIT PACKING BOX